

MICRO SWITCH

A DIVISION OF MINNEAPOLIS-HONEYWELL REGULATOR COMPANY
PREPONT, ILLINOIS

FED. MFR. CODE 91929

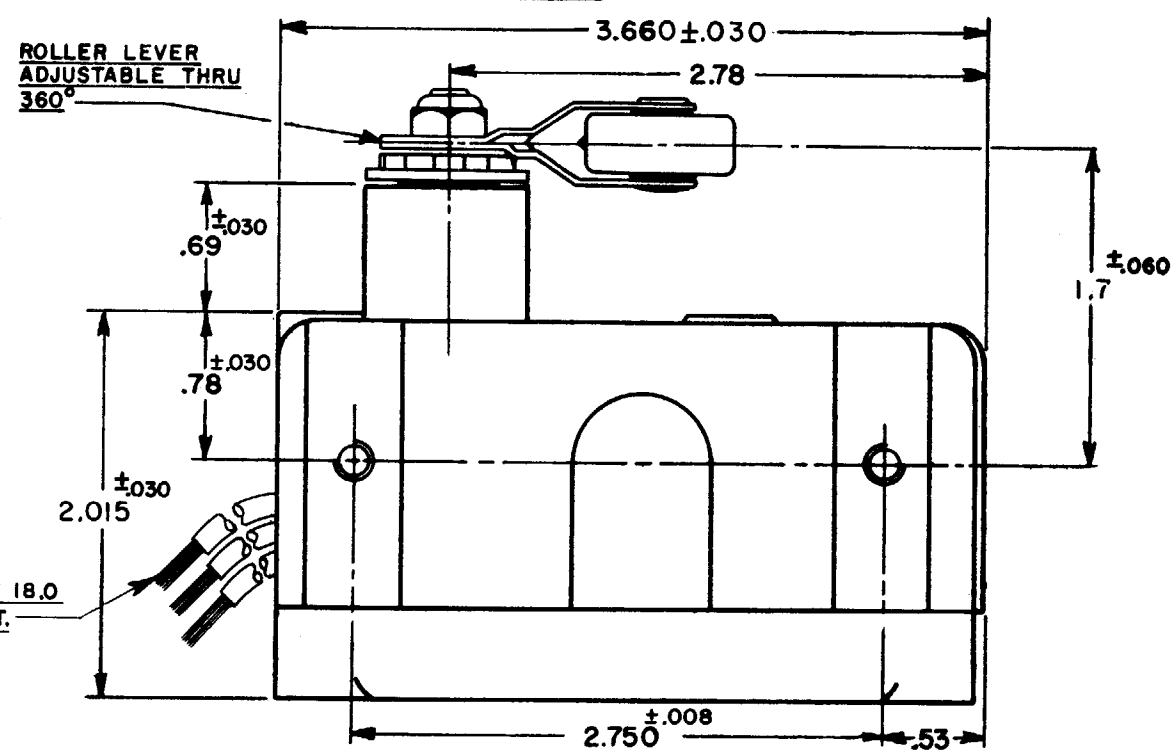
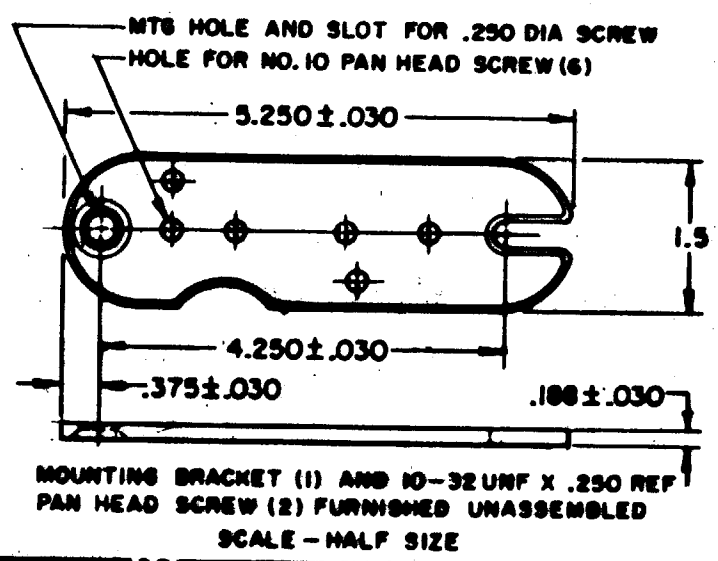
SWITCH - ENCLOSED

CATALOG LISTING
EX - XR3

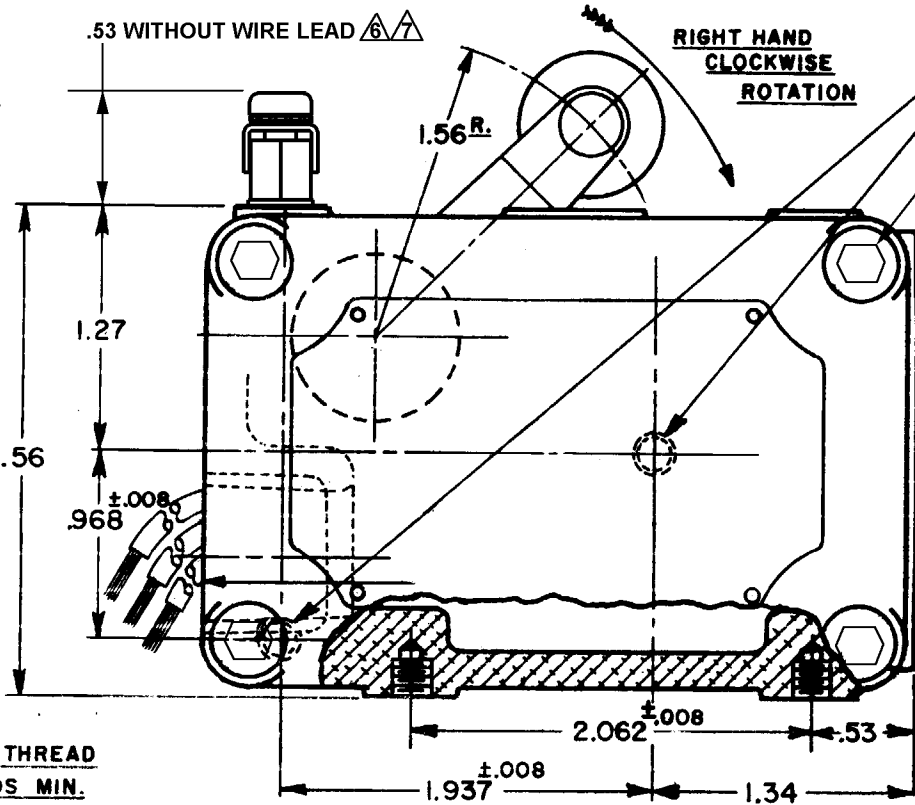
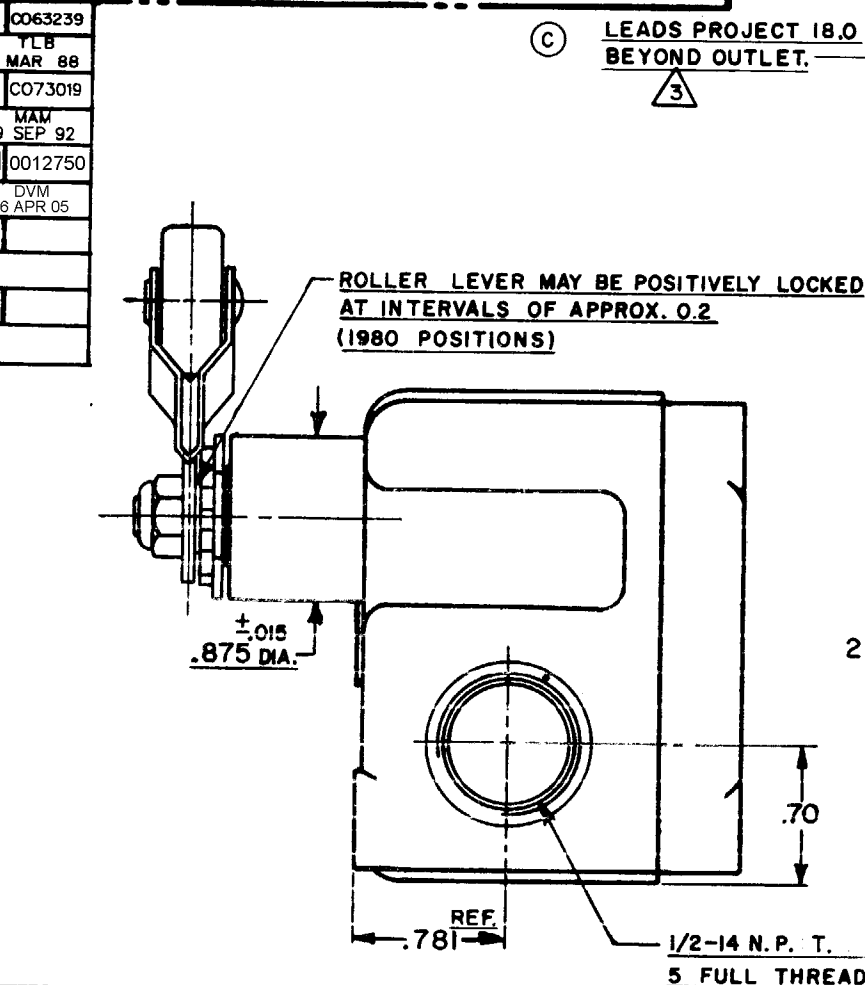
THIS DRAWING COVERS A PROPRIETARY ITEM AND IS THE PROPERTY OF MICRO SWITCH, A DIVISION OF HONEYWELL. THIS DRAWING IS NOT TO BE COPIED OR USED WITHOUT THE APPROVAL OF MICRO SWITCH.

M

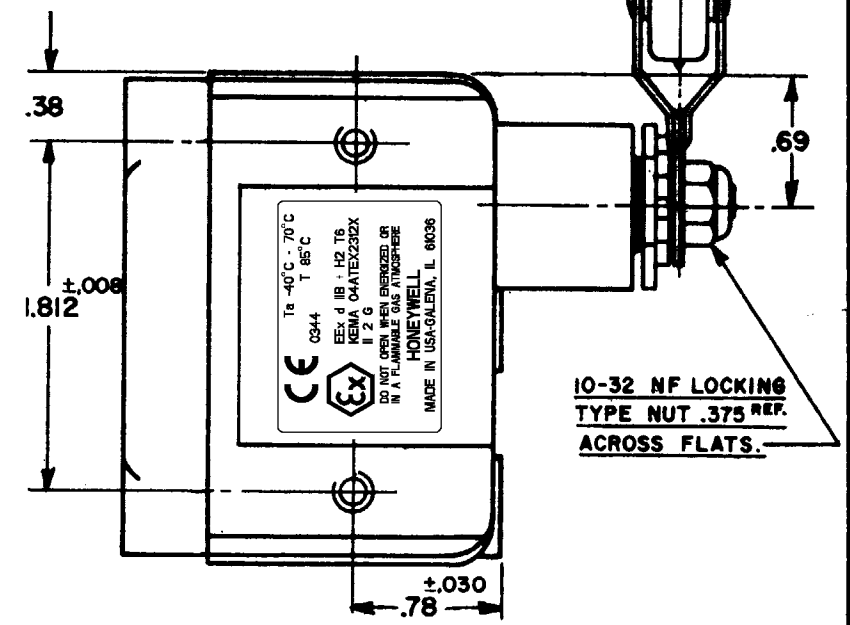
EX - XR3
DRAWING NUMBER
ISSUE 19
RELEASE NO. 26 APR 05
REPLACES EX - XR3 ISSUE 6
CHECKED
REVISIONS
A CO11034 K.F.M. 2 JAN 57
B CO15608 M.B.F. 10 FEB 61
C CO18546 M.B.F. 27 NOV 63
D CO17653 H.B.W. 24 FEB 64
E CO18276 D.A.W. 23 JUNE 64
F CO19878 M.B.F. 26 OCT 66
G CO26103 D.L.F. 18 JUL 69
H CO31559 G.L.H. 18 JUN 73
J CO58360 C.S.H. 9 NOV 85
K CO61381 D.A.W. 22 APR 87



.750 REF. DIA. X .312 REF. WIDE ROLLER
MADE OF NON-SPARKING WEAR RESISTANT MATERIAL



(2) MOUNTING HOLE IN OPPOSITE WALL.
4 X 5mm HEX DRIVE CAP SCREW, WRENCH FURNISHED WITH PRODUCT



CHARACTERISTICS	
OPERATING FORCE	3/4 LB. MAX.
PRETRAVEL	.219 MAX. (8°)
DO NOT OVERTRAVEL MORE THAN 90°	
RESET CHARACTERISTICS (COUNTER CLOCKWISE ROTATION)	
OPERATING FORCE	3/4 LB. MAX.
PRETRAVEL	.219 MAX. (8°)
OVERTRAVEL	.031 MIN. (1°)
SWITCH-BASIC REPLACEMENT - BZ - RX9	

ELECTRICAL DATA	
CONTACT ARRANGEMENT SINGLE POLE DOUBLE THROW MAINTAINED CONTACT.	
-L96-	1/2 A - 125, 250, OR 480 VAC 1/4 A - 125 VDC; 1/4 A - 250 VDC 1/8 HP - 125 VAC; 1/4 HP - 250 VAC

SCALE FULL	
DO NOT SCALE PRINT	
UNLESS OTHERWISE SPECIFIED DIMENSIONS ARE IN INCHES	
TOLERANCES ARE:	
ONE PLACE (.0)	±.030
TWO PLACE (.00)	±.015
THREE PLACE (.000)	±.008
ANGLES	±
WEIGHT	

- NOTE-
- 1 - (8) MOUNTING SCREW HOLES, 10-32 NF-2B THREADS X .219 REF. DEEP.
 - 2 - EXPLOSION PROOF - UNDERWRITERS' LAB. INC. LISTED FOR HAZARDOUS LOCATIONS NEMA 7, CLASS I, GROUPS C AND D, NEMA 9, CLASS II, GROUPS E, F AND G.
 - 3 - COM LEAD - BLACK
N.O. LEAD - BLUE
N.C. LEAD - RED
 - 4 - EUROPEAN HAZARDOUS LOCATIONS DESIGNATION: EEx dIIB + H2 T6 CATAGORY II 2 G
 - 5 - SEAL RATING: NEMA 1
 - △ - EXTERNAL GROUND SCREW MAY BE ASSEMBLED TO ANY UNUSED MOUNTING SCREW HOLE
 - ▽ - ASSEMBLE PROVIDED SPLIT LOCKWASHER BETWEEN GROUND LUG AND HOUSING

